

AUTOMATIC DOOR BOTTOMS

Our Automatic Door Bottoms (ADB) are made from extruded aluminum and combined with closed cell sponge neoprene, silicone, felt or brush. Activation occurs when the plunger is depressed against the door frame, sealing out draft, sound and light. When the door is opened, the seal immediately retracts.

"When nothing but the best will do... for the bottom of your doors."

Peter Crowder
President,
K.N. Crowder Mfg. Inc.



Shown: CT-52S with CT-658



SURFACE MOUNTED



SEMI-MORTISED



MORTISED

SPECIFICATIONS:

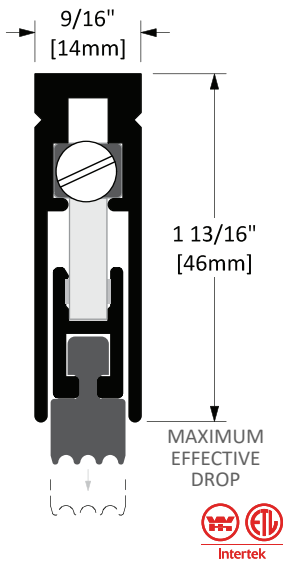
- Reversible - same unit for right-handed or left-handed doors
- Maximum drop is between 5/8 in [15.9 mm] or 11/16 in [17.5 mm]
- Stock sizes can be shortened up to 6 in [152.4 mm] (from lock side) on job site except for 12 in [304.8 mm], 18 in [457.2 mm] or 24 in [609.6 mm]
- Fire rated - most types are fire rated (See Warnock Hersey/Intertek symbol and refer to page iii for more information)

END CAPS
Are available for both ends



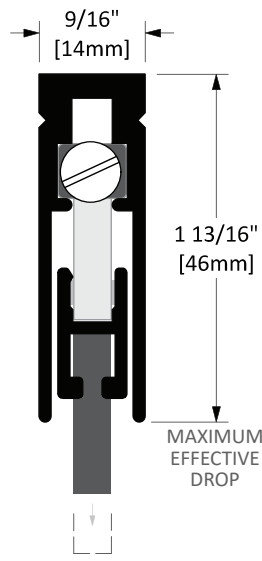
AUTOMATIC DOOR BOTTOMS

MAXIMUM EFFECTIVE DROP: 5/8 in [15.9 mm]



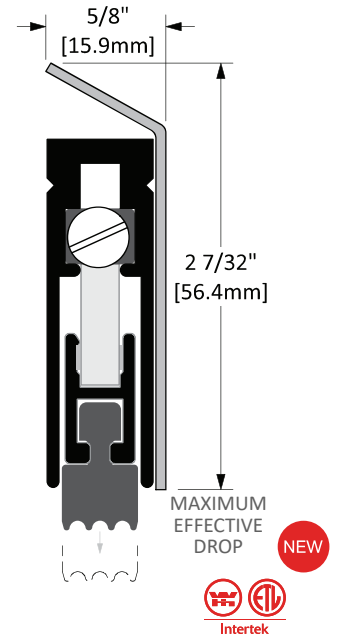
CT-50

ANODIZED ALUMINUM WITH NEOPRENE SEAL
 Screw Type: J
 OPT Screw Type: K
 STD Finish: Clear Anodized
 OPT Finish: B.A., BL.A.



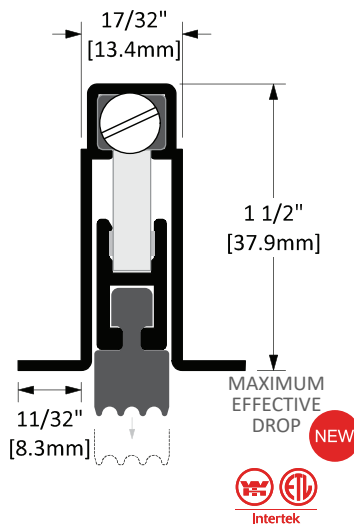
CT-50F

ANODIZED ALUMINUM WITH FELT SEAL
 Screw Type: J
 OPT Screw Type: K
 STD Finish: Clear Anodized
 OPT Finish: B.A., BL.A.



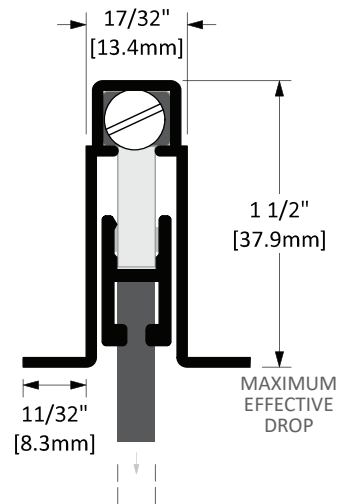
CT-50-SS

STAINLESS STEEL COVER ON ANODIZED ALUMINUM WITH NEOPRENE SEAL
 Screw Type: J
 OPT Screw Type: K
 STD Finish: Stainless Steel Cover



CT-51

EXTRUDED ALUMINUM WITH NEOPRENE SEAL
 Screw Type: N
 OPT Screw Type: O
 STD Finish: Mill
 OPT Finish: BL.A.

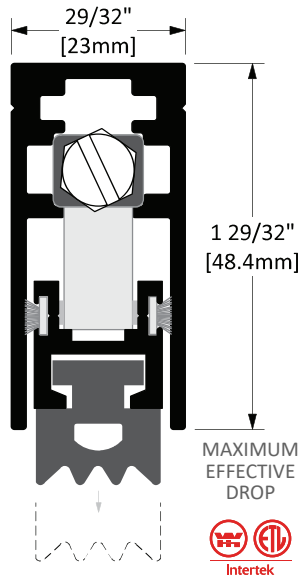


CT-51F

EXTRUDED ALUMINUM WITH FELT SEAL
 Screw Type: N
 OPT Screw Type: O
 STD Finish: Mill
 OPT Finish: BL.A.

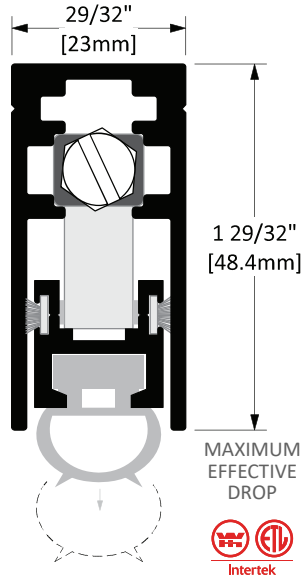
AUTOMATIC DOOR BOTTOMS

MAXIMUM DROP: 11/16 in [17.5 mm]



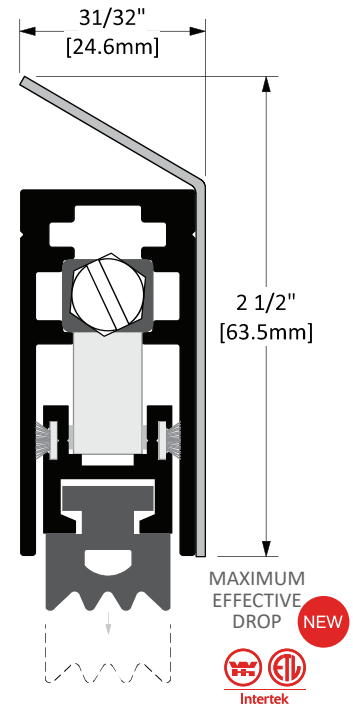
CT-52

ANODIZED ALUMINUM
WITH NEOPRENE SEAL
Screw Type: J
OPT Screw Type: K
STD Finish: Clear Anodized
OPT Finish: B.A., B.L.A.



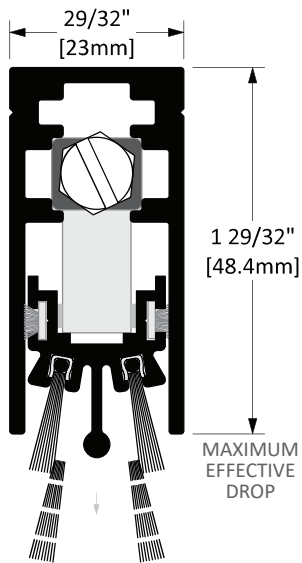
CT-52S

ANODIZED ALUMINUM
WITH SILICONE SEAL
Screw Type: J
OPT Screw Type: K
STD Finish: Clear Anodized
OPT Finish: B.A., B.L.A.



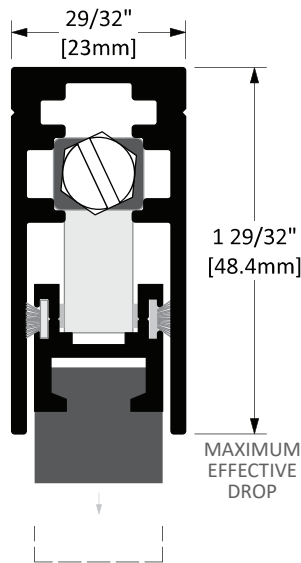
CT-52-SS

STAINLESS STEEL COVER
ON ANODIZED ALUMINUM
WITH NEOPRENE SEAL
Screw Type: J
OPT Screw Type: K
STD Finish: Clear Anodized



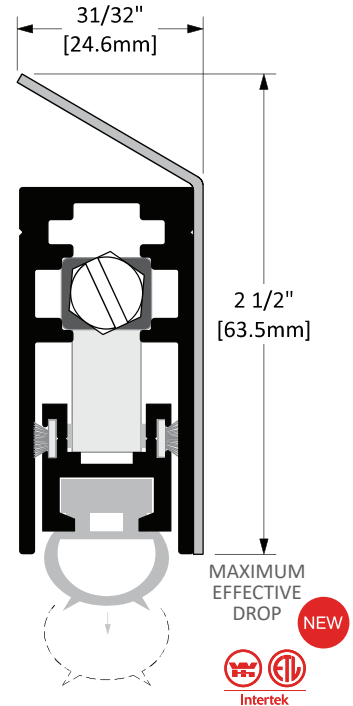
CT-52B

ANODIZED ALUMINUM
WITH BRUSH SEAL
Screw Type: J
OPT Screw Type: K
STD Finish: Clear Anodized
OPT Finish: B.A., B.L.A.



CT-52F

ANODIZED ALUMINUM
WITH FELT SEAL
Screw Type: J
OPT Screw Type: K
STD Finish: Clear Anodized
OPT Finish: B.A., B.L.A.

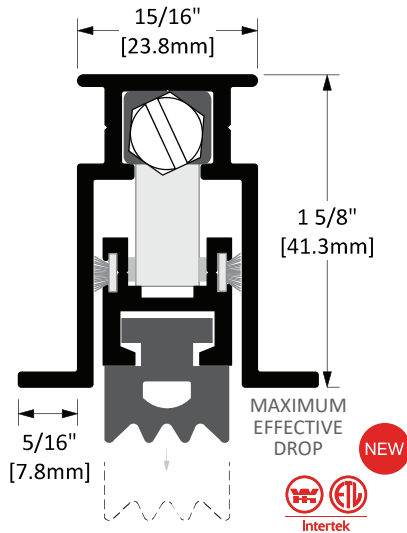


NEW CT-52S-SS

STAINLESS STEEL COVER
ON ANODIZED ALUMINUM
WITH SILICONE SEAL
Screw Type: J
OPT Screw Type: K
STD Finish: Clear Anodized

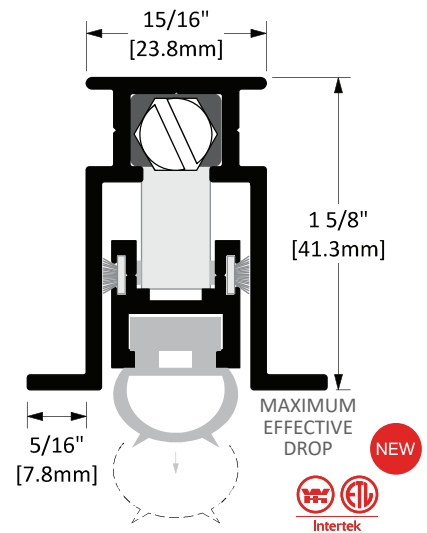
AUTOMATIC DOOR BOTTOMS

MAXIMUM DROP: 11/16 in [17.5 mm]



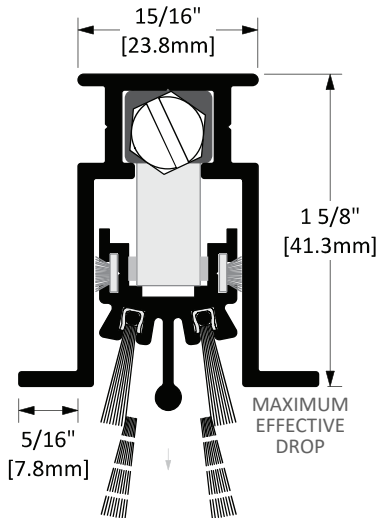
CT-53

EXTRUDED ALUMINUM
WITH NEOPRENE SEAL
Screw Type: N
OPT Screw Type: O
STD Finish: Mill
OPT Finish: BL.A.



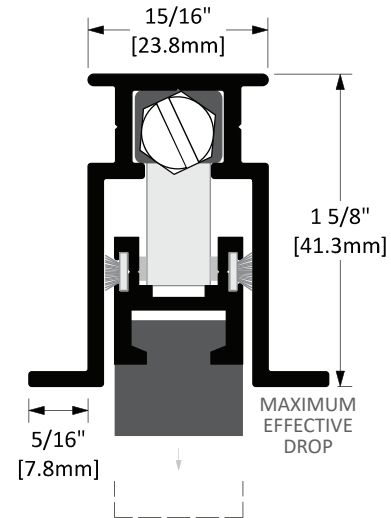
CT-53S

EXTRUDED ALUMINUM
WITH SILICONE SEAL
Screw Type: N
OPT Screw Type: O
STD Finish: Mill
OPT Finish: BL.A.



CT-53B

EXTRUDED ALUMINUM
WITH BRUSH SEAL
Screw Type: N
OPT Screw Type: O
STD Finish: Mill
OPT Finish: BL.A.



CT-53F

EXTRUDED ALUMINUM
WITH FELT SEAL
Screw Type: N
OPT Screw Type: O
STD Finish: Mill
OPT Finish: BL.A.